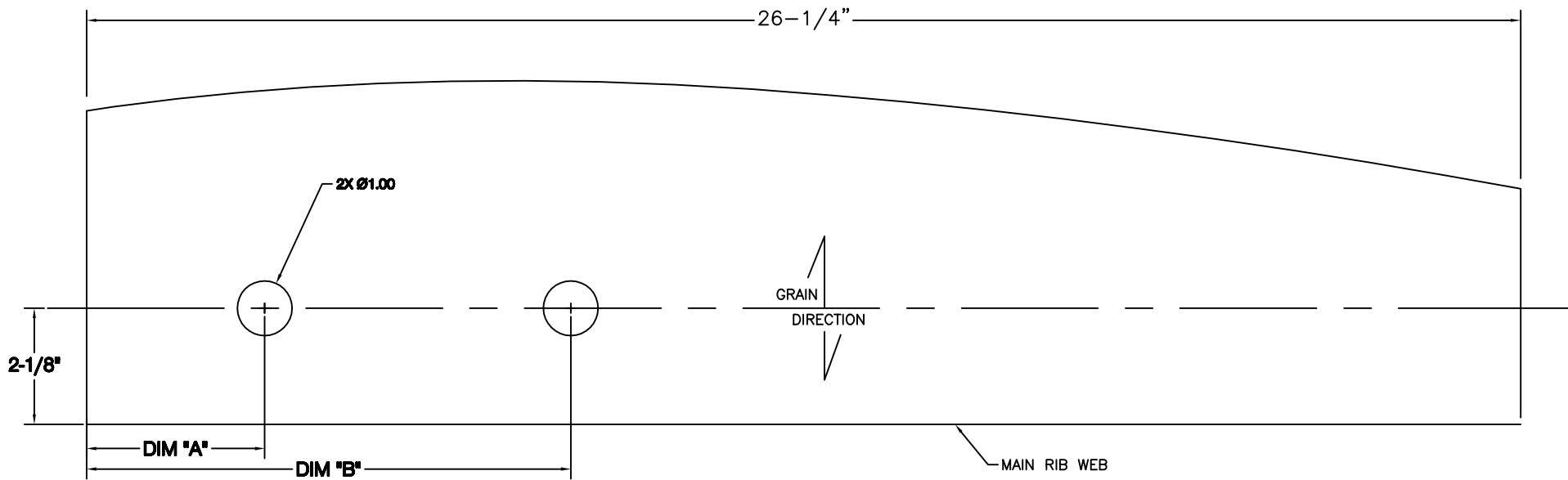


# INTERNAL BRACE WIRES CLEARANCE HOLES LOCATION (LEFT & RIGHT WING RIBS)

DIMENSION TABLE		
MAIN RIB NO.	DIM "A"	DIM "B"
3	1-5/32"	25-5/64"
4	10-3/4"	15-1/2"
5	5-31/32"	20-5/16"
6	3-3/32"	23-3/16"
7	12-21/32"	13-19/32"
8	4-1/32"	22-7/32"
9	7-3/64"	19-7/32"
10	5-11/16"	20-9/16"



NOTE: I WOULD RECOMMEND DRILLING  $\phi 3/4$  HOLES FIRST TO MAKE SURE EVERYTHING ALIGNS. THEN, GO BACK AND DRILL  $\phi 1.0$  HOLE AS PER PLANS, PAGE 4-17, STEP 10A.